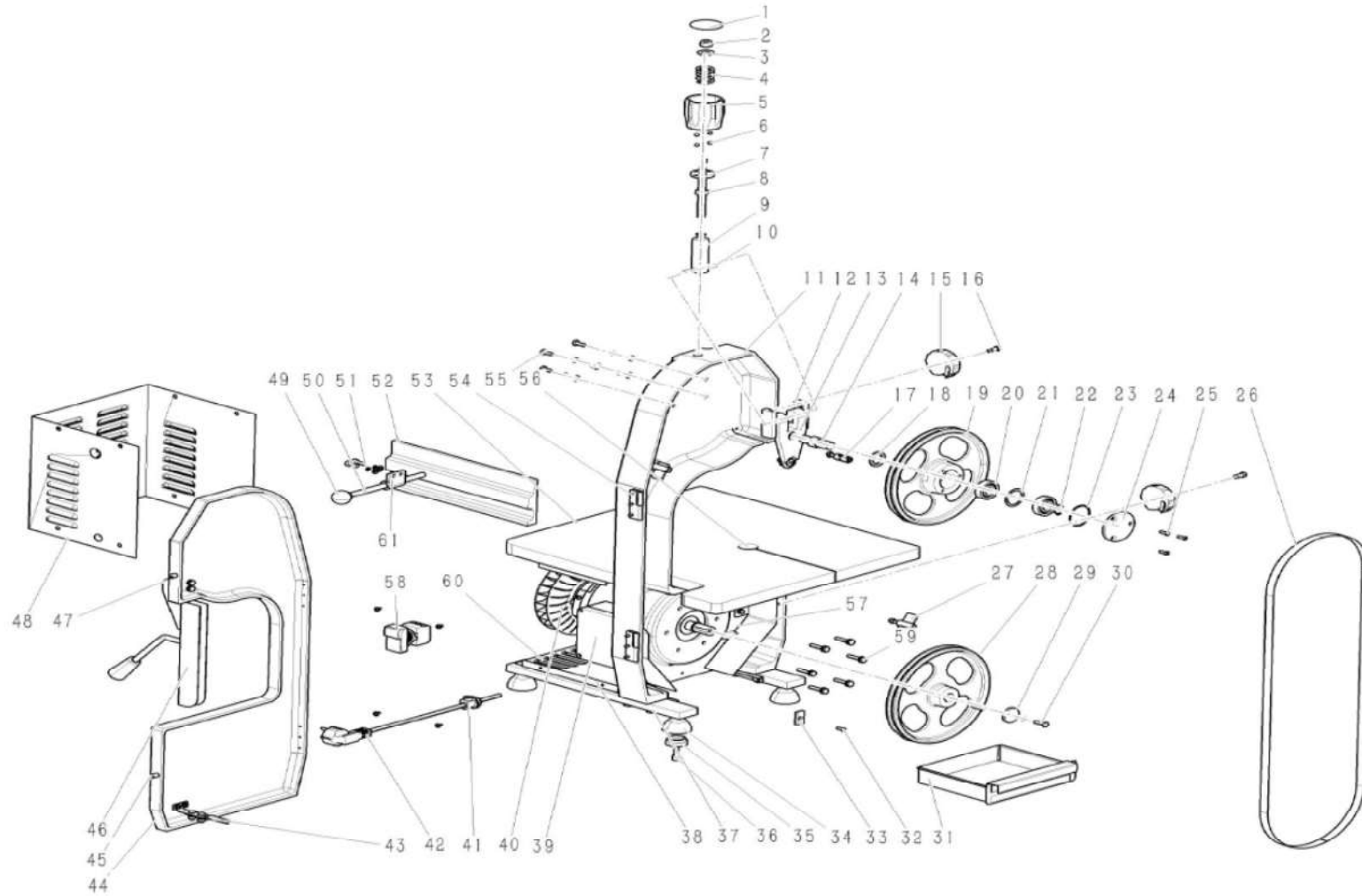


ПИЛА ДЛЯ РЕЗКИ МЯСА HURAKAN HKN-SE1650M

Поз	Наименование детали
1	Top knob
2	Top Wheel
3	Handle wheel
4	Bearing
5	Flesh setting
6	Blade
7	Stopper
8	Adjust setting
9	Rabblar
10	Motor
11	Grip
12	Shaving board
13	Microswitch
14	Feet
15	Storage box
16	Lock
17	Switch On/off
18	Electric line



ПИЛА ДЛЯ РЕЗКИ МЯСА HURAKAN HKN-SE1650M

Поз	Наименование детали		
1	surface cover	38	steel angle
2	lock nut M12	39	Electrical box
3	gasket ϕ 12	40	Motor
4	pressure spring	41	cable glands
5	Adjusting Handle	42	Power Line
6	steel ball ϕ 6	43	contact stud
7	end cover	44	door closure
8	screw rod	45	bearing pin
9	screw barrel	46	Blade protect plate
10	Small shaft	47	Blade protect
11	Body	48	Motor casing
12	guide plate	49	Ball Handle
13	Tensioning slider	50	Shaft
14	wheel axle	51	screw
15	Knob	52	Locking plate
16	Screw	53	Working Table
17	guiding shaft	54	Hinge
18	Seal Ring	55	Screw
19	Top Wheel	56	Nylon plug
20	Bearing	57	Switch
21	Gasket	58	On/Off Button
22	Shaft collar ϕ 17	59	Screw
23	O ring	60	Bottom board
24	screw cover	61	shaft seat
25	Screw	62	Emergency Button
26	Blade		
27	Meat scraper holder		
28	Bottom Wheel		
29	Shaft collar		
30	Screw		
31	Waste Box		
32	Screw		
33	magnet		
34	Feet		
35	rubber pad		
36	Screw		
37	Bottom Strip		